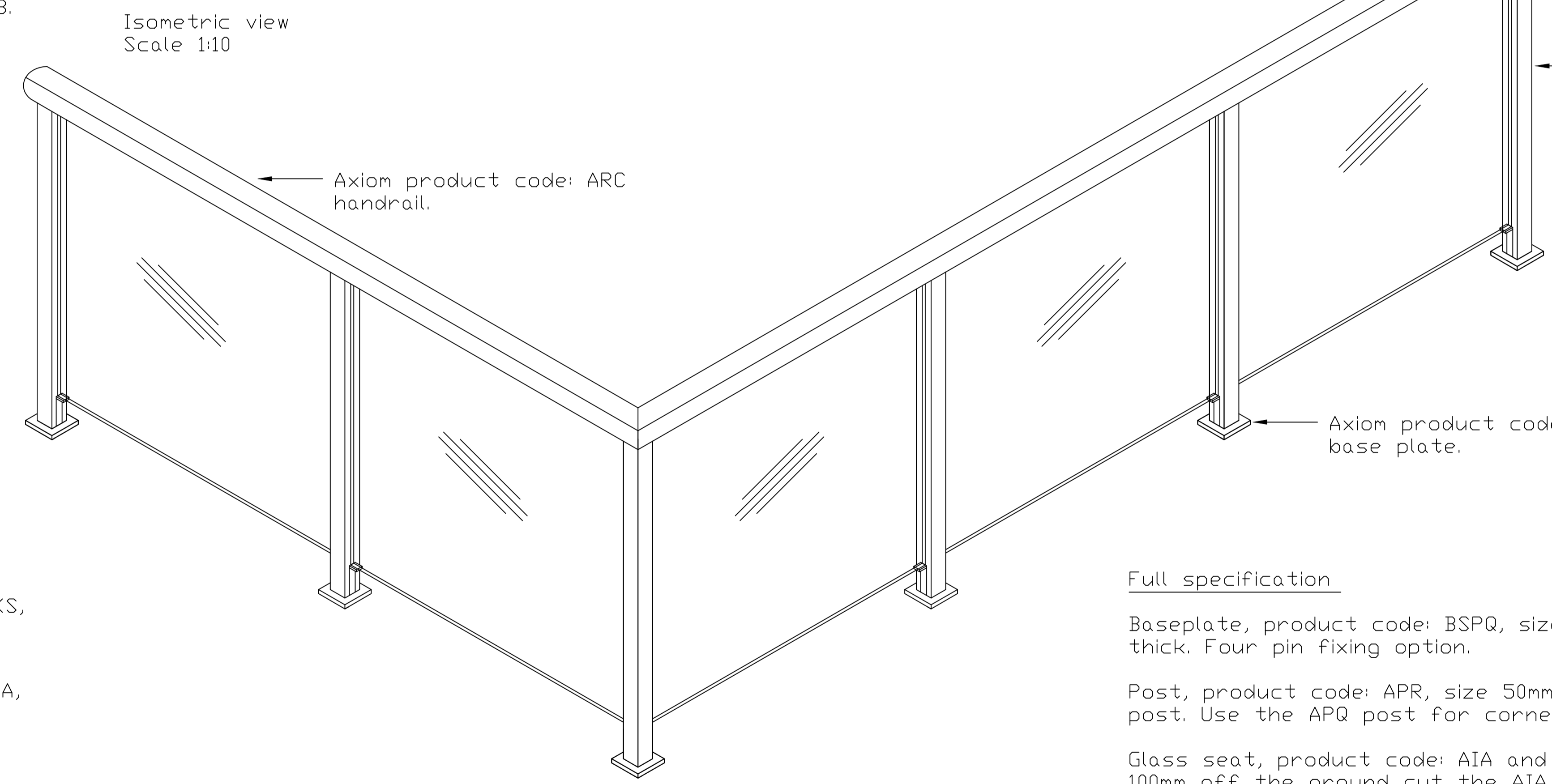
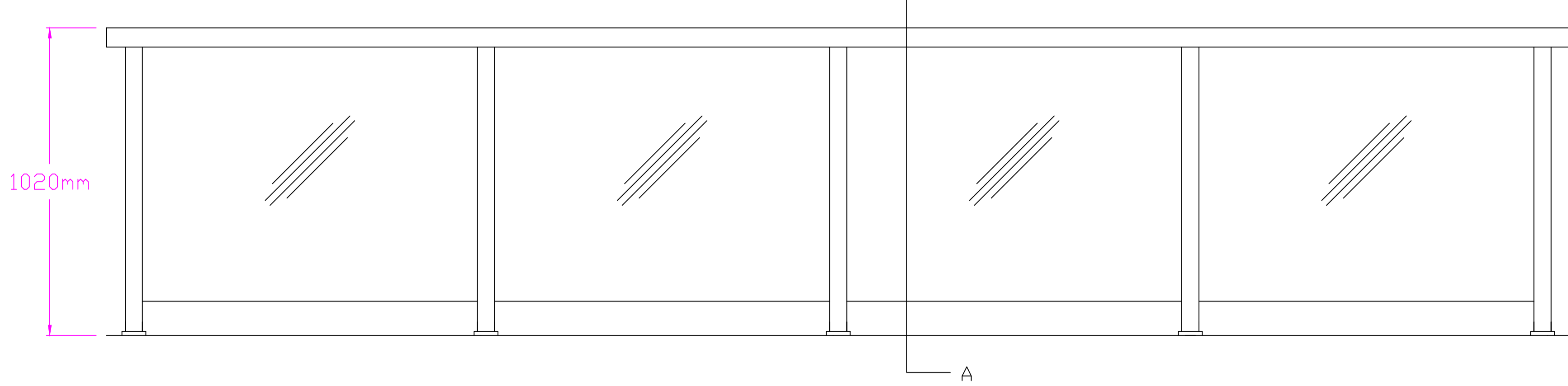
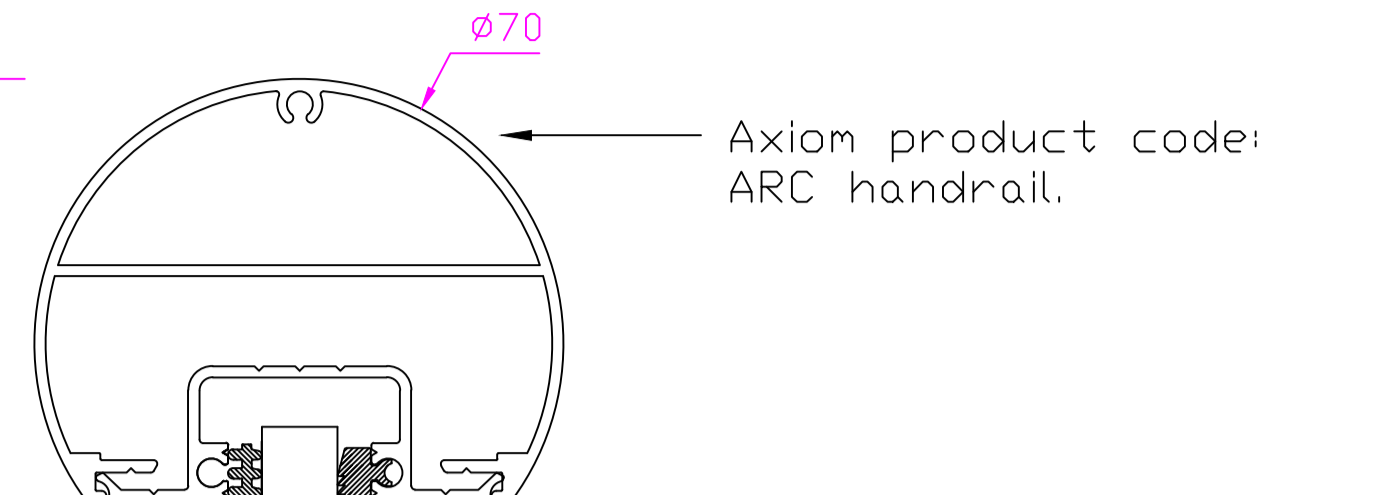


Section A - A
Scale 1:1

Elevation
Scale 1:10

Elevations are for illustration purpose only.



SWE 55 glazing rubber fitted on the internal face of balustrade

Axiom product code: PZT inner glazing pocket infill.

SRE glazing rubber fitted on the external face of the balustrade

Axiom 10mm thick toughened glass. Glass to be in accordance with AS1288.

Axiom product code: APR, post

Axiom product code: ARC handrail.

Axiom product code: APR balustrade post.

Axiom product code: BSPQ base plate.

Axiom product code: AKS, glass mount block.

Axiom product code: AIA, glass mount infill.

Axiom product code: BSQP, baseplate. A core fix option is available. i.e no baseplates.

Read this drawing in conjunction with the relevant engineering drawings. All products must be installed as specified by the engineer.

Full specification

Baseplate, product code: BSPQ, size 90mm x 90mm x 12mm thick. Four pin fixing option.

Post, product code: APR, size 50mm x 50mm balustrade post. Use the APQ post for corner posts.

Glass seat, product code: AIA and AKS. if the glass is 100mm off the ground cut the AIA at 82mm long.

Glass type: 10mm thick toughened glass

Handrail, product code: ARC, size 56mm high x 70mm Dia. round handrail.

Inner glazing pocket infill, product code: PZT.

Glazing rubbers: As specified on the drawing.

1020mm

Nominal 100mm from underside of base plate to bottom of glass



Style: AxiLume Semi Frameless Balustrade
Suite: Neo Suite
Product: APR post and BSQP base plate with ARC handrail.

Scale as shown @ A1
Paper Size: A1
Unless otherwise stated all dimensions are in MM

Drawing n°. SD6001-623
Drawn by: C. Richardson
Date: 31 / 3 / 2015

Checked by: CM
Revision:

Job N°.
Drawing type: Suite drawing
This drawing has been produced using AutoCAD LT 2015

Proprietary and Confidential
This drawing remains the sole property of Axiom Group Pty Ltd. It must not be reproduced in part or in whole without consent from the Directors. Axiom reserves the right to amend drawings in the interest of continuous improvement. E & D E