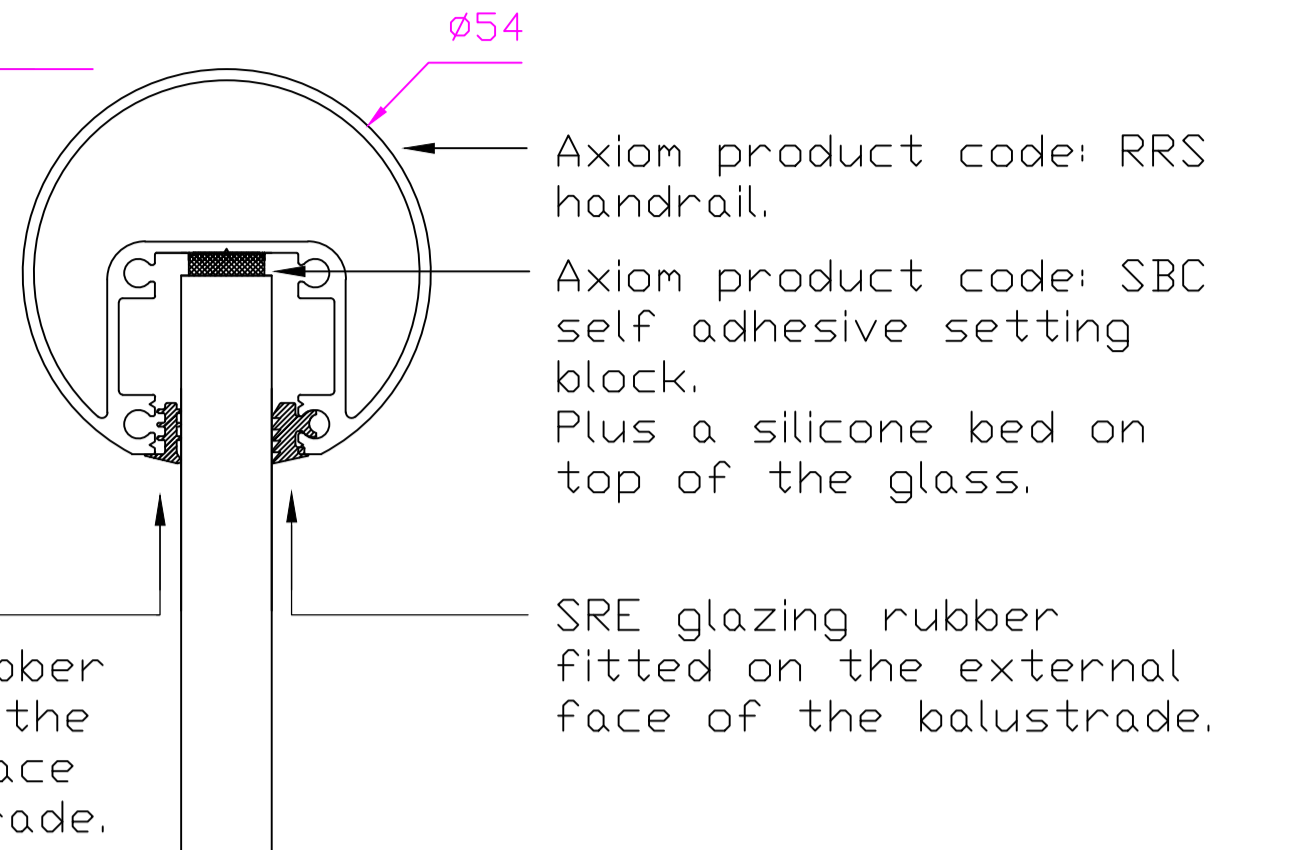


Section A - A
Scale 1:1

Elevation
Scale 1:10

Elevations are for illustration purpose only.

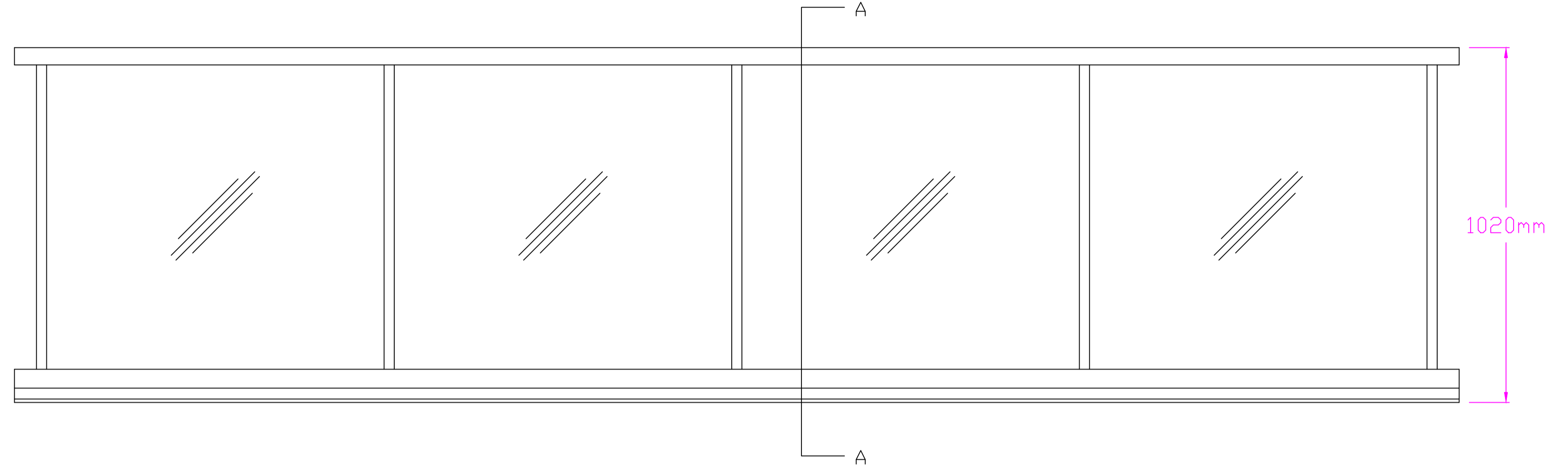


Axiom product code: RRS handrail.
Axiom product code: SBC self adhesive setting block. Plus a silicone bed on top of the glass.

SWE 35 glazing rubber fitted on the internal face of balustrade.

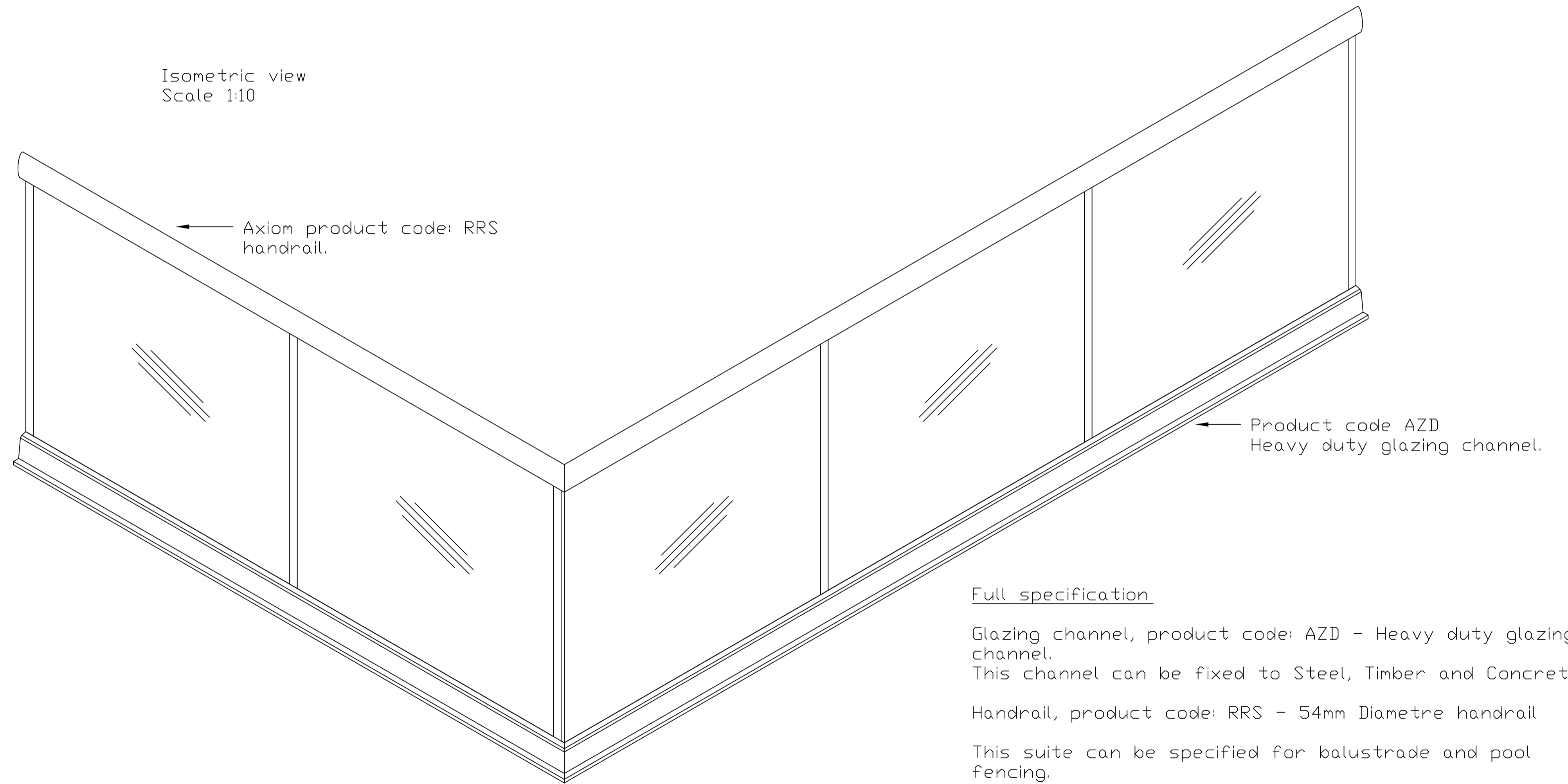
SRE glazing rubber fitted on the external face of the balustrade.

Axiom 12mm thick toughened glass. Glass to be in accordance with AS1288.



1020mm

Isometric view
Scale 1:10



Axiom product code: RRS handrail.

Product code AZD Heavy duty glazing channel.

1020mm

SWZ 9 glazing rubber fitted on the internal face of balustrade

SRB glazing rubber fitted on the external face of balustrade.

Axiom Product code: AZD Heavy duty glazing channel.

Axiom non shrink grout.

Axiom product code: SBS Glass setting block.

98

98

Read this drawing in conjunction with the relevant engineering drawings. All products must be installed as specified by the engineer.

Full specification

Glazing channel, product code: AZD - Heavy duty glazing channel. This channel can be fixed to Steel, Timber and Concrete.

Handrail, product code: RRS - 54mm Diameter handrail

This suite can be specified for balustrade and pool fencing.

Glass: 12mm thick toughened, maximum width of each glass panel is 1200mm

Glass setting blocks, product code: SBS, size 50mm long x 18.8mm wide x 16.6mm high, 2n° required per glass panel.

Handrail setting block, product code SBC, size 25mm x 10mm x 3mm thick.



Style: AxiLume Frameless Balustrade
Suite: Metropolis Base Mounted
Product: AZD glazing channel with RRS handrail.

Scale as shown @ A1
Paper Size: A1
Unless otherwise stated all dimensions are in MM

Drawing n°. SD6001-606
Drawn by: C. Richardson
Date: 31 / 3 / 2015

Checked by: CM
Revision:

Job N°.
Drawing type: Suite drawing
This drawing has been produced using AutoCAD LT 2015

Proprietary and Confidential
This drawing remains the sole property of Axiom Group Pty Ltd. It must not be reproduced in part or in whole without consent from the Directors. Axiom reserves the right to amend drawings in the interest of continuous improvement. E & D E