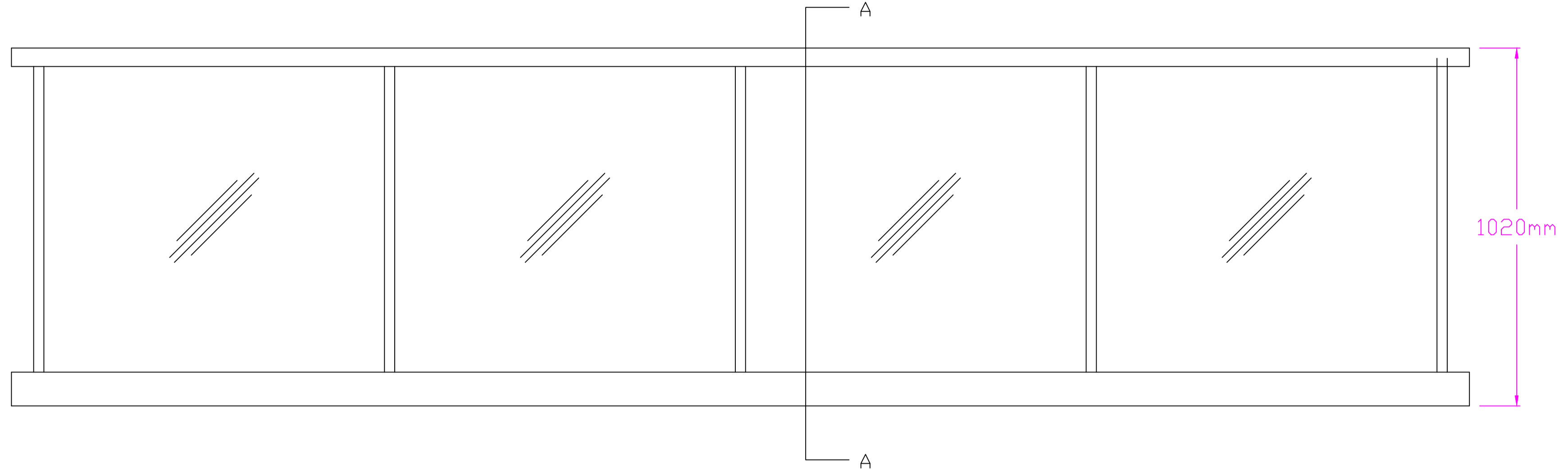
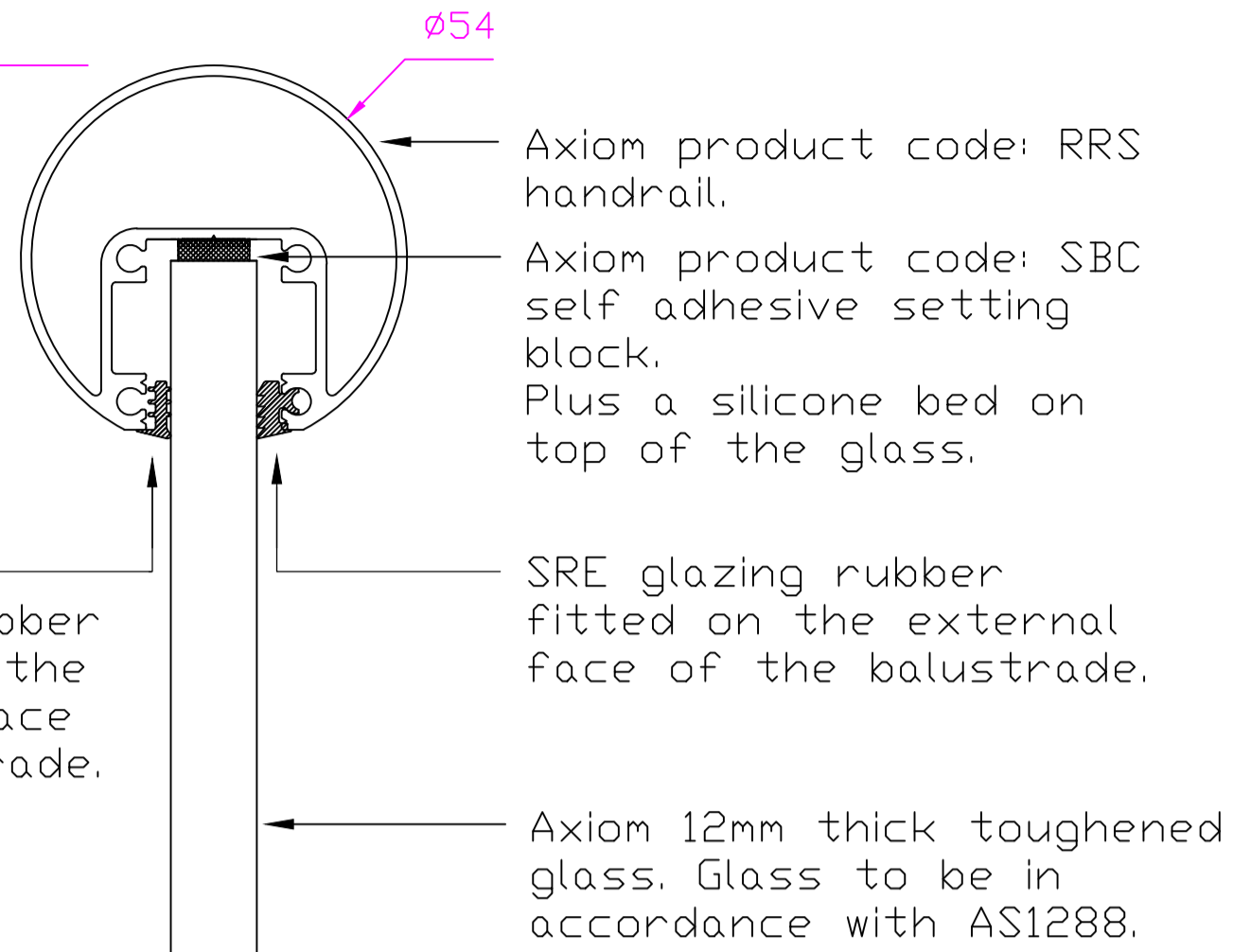


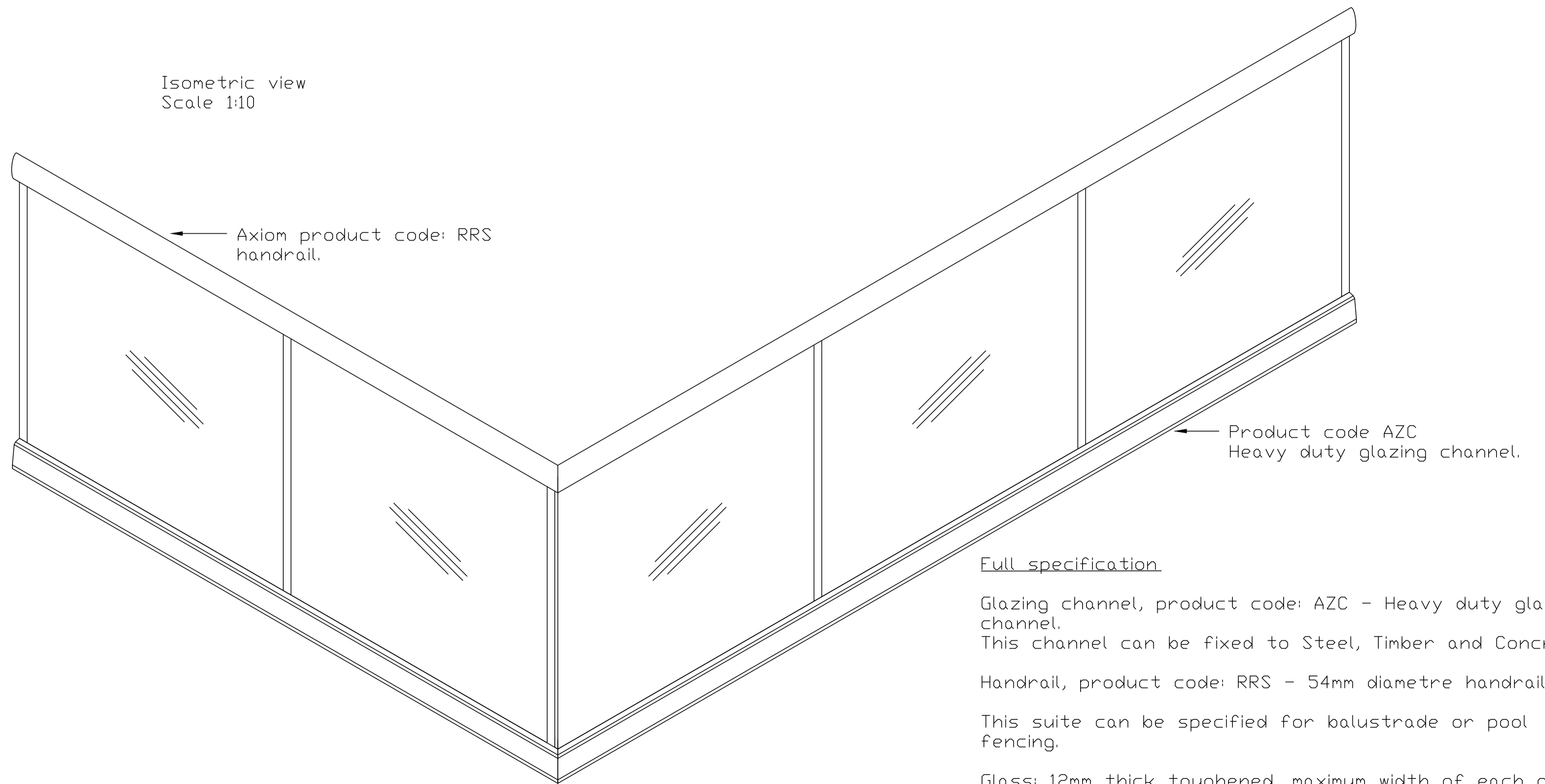
Section A - A
Scale 1:1

Elevation
Scale 1:10

Elevations are for illustration purpose only.



Isometric view
Scale 1:10



SWE 35
glazing rubber
fitted on the
internal face
of balustrade.

SRE glazing rubber
fitted on the external
face of the balustrade.

Axiom 12mm thick toughened
glass. Glass to be in
accordance with AS1288.

1020mm

SWZ 9
glazing rubber
fitted on the
internal face
of balustrade

SRB glazing rubber
fitted on the external
face of balustrade.

Axiom product code: AZC
Heavy duty glazing
channel.

Axiom non shrink grout.

Axiom product code: SBM
Glass setting block, 2n° per
panel required.

99

60

Full specification

Glazing channel, product code: AZC - Heavy duty glazing channel.
This channel can be fixed to Steel, Timber and Concrete.

Handrail, product code: RRS - 54mm diameter handrail

This suite can be specified for balustrade or pool fencing.

Glass: 12mm thick toughened, maximum width of each glass panel is 1200mm

Glass setting blocks, product code SBM, size: 25mm x 25mm x 12mm. 2n° required per glass panel.

Handrail setting block, product code: SBC, size: 25mm x 10mm x 3mm thick.

Read this drawing in conjunction with the relevant engineering drawings. All products must be installed as specified by the engineer.



Style: AxiLume Frameless Balustrade
Suite: Metropolis Base Mounted
Product: AZC glazing channel with RRS handrail.

Scale as shown @ A1
Paper Size: A1
Unless otherwise stated all dimensions are in MM

Drawing n°. SD6001-604
Drawn by: C. Richardson
Date: 31 / 3 / 2015

Checked by: CM
Revision:

Job N°.
Drawing type: Suite drawing
This drawing has been produced using AutoCAD LT 2015

Proprietary and Confidential
This drawing remains the sole property of Axiom Group Pty Ltd. It must not be reproduced in part or in whole without consent from the Directors. Axiom reserves the right to amend drawings in the interest of continuous improvement. E & D E