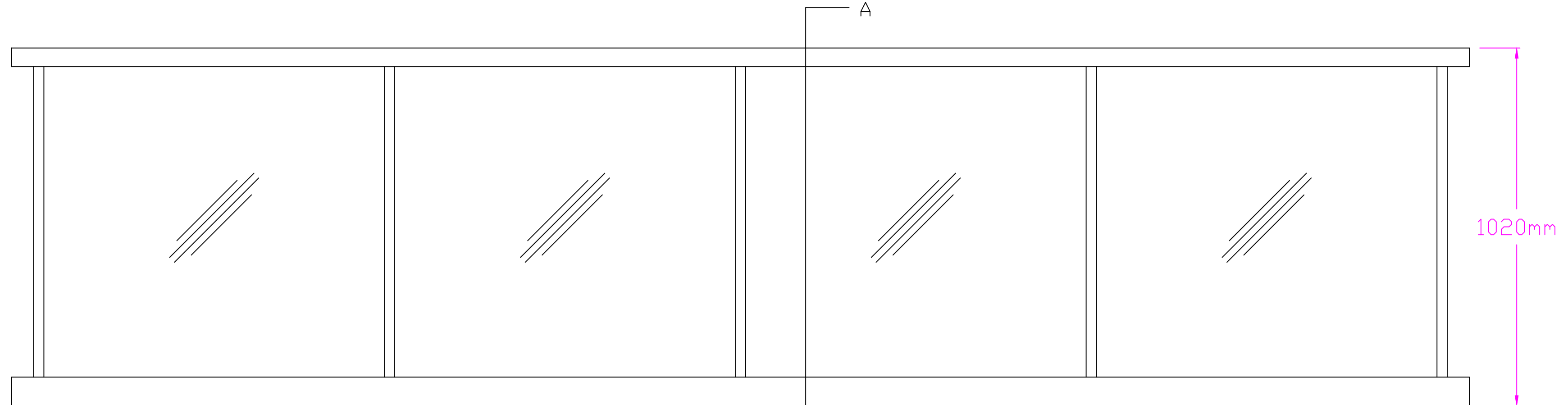
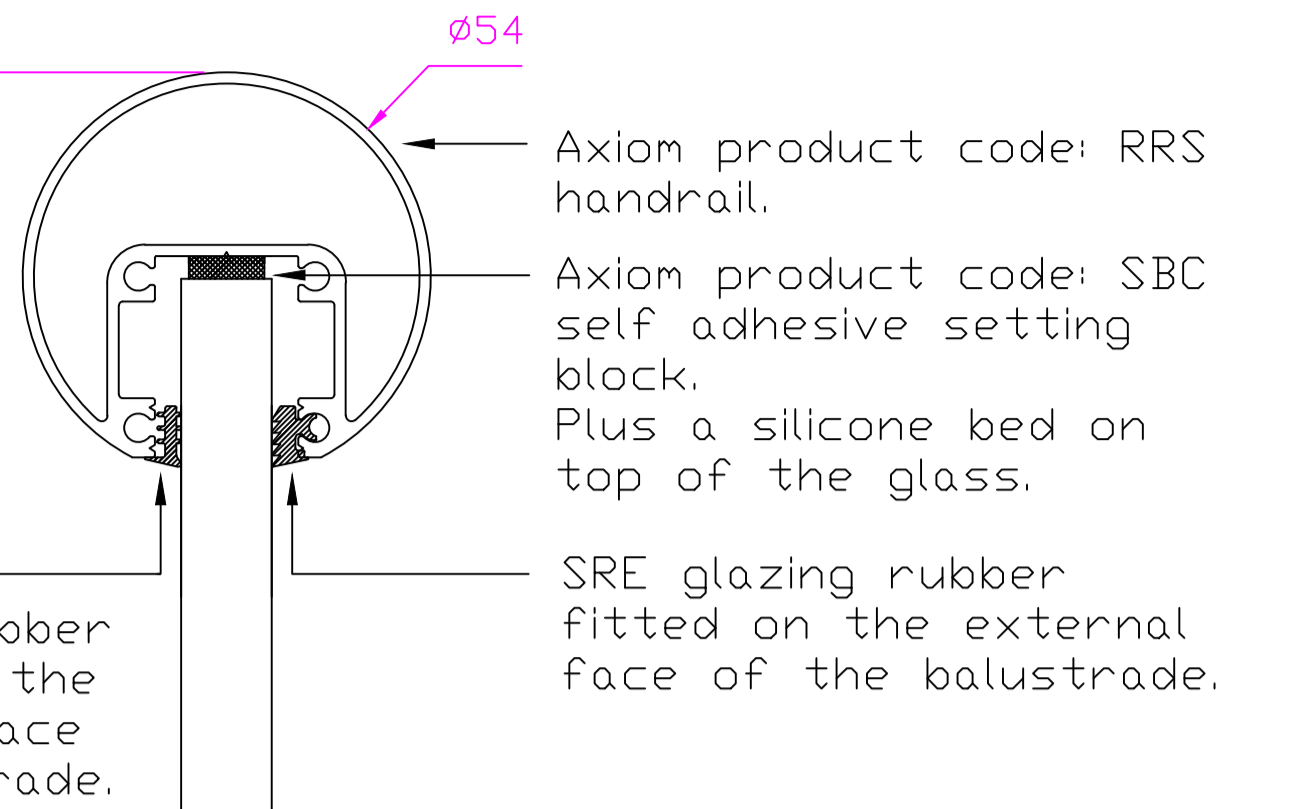


Section A - A  
Scale 1:1

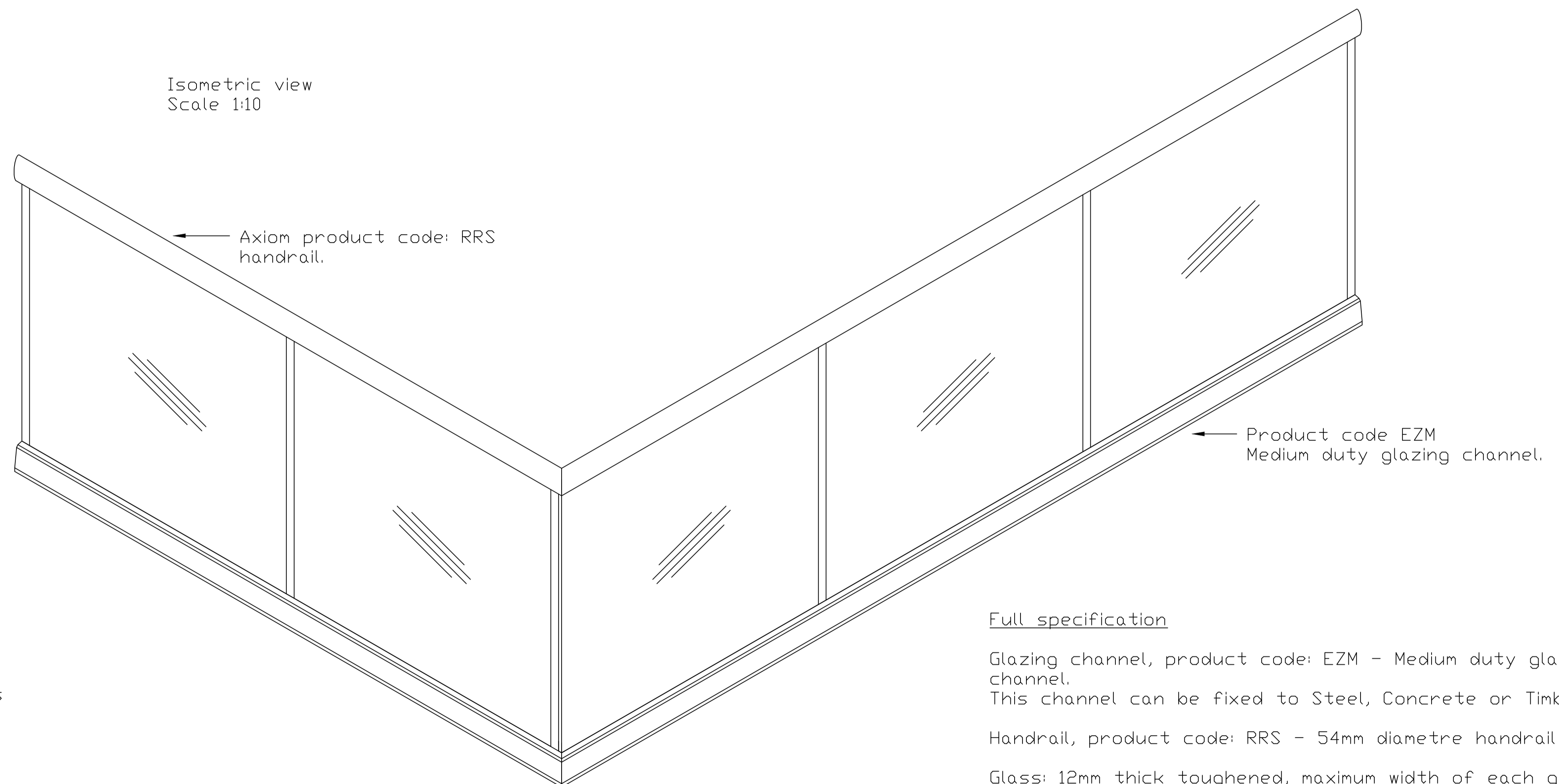
Elevation  
Scale 1:10

Elevations are for illustration purpose only.



Axiom 12mm thick toughened glass. Glass to be in accordance with AS1288.

Isometric view  
Scale 1:10



SWE 35 glazing rubber fitted on the internal face of balustrade.

1020mm

SWZ 9 glazing rubber fitted on the internal face of balustrade

SRB glazing rubber fitted on the external face of balustrade.

Product code EZM Medium duty glazing channel. Must be fitted to engineers specifications.

Axiom non shrink grout.

Axiom product code: SBM Glass setting block, 2n° per panel required.

84

60

Full specification

Glazing channel, product code: EZM - Medium duty glazing channel. This channel can be fixed to Steel, Concrete or Timber.

Handrail, product code: RRS - 54mm diameter handrail

Glass: 12mm thick toughened, maximum width of each glass panel is 1200mm

Glass setting blocks, product code: SBM, size: 25mm x 25mm x 12mm, 2n° required per glass panel.

Handrail setting block, product code: SBC, size: 25mm x 10mm x 3mm thick.

Read this drawing in conjunction with the relevant engineering drawings. All products must be installed as specified by the engineer.



Style: AxiLume Frameless Balustrade  
Suite: Metropolis Base Mounted  
Product: EZM glazing channel with RRS handrail.

Scale as shown @ A1  
Paper Size: A1  
Unless otherwise stated all dimensions are in MM

Drawing n°. SD6001-602  
Drawn by: C. Richardson  
Date: 28 / 12 / 2014

Checked by: CM  
Revision:

Job N°.   
Drawing type: Suite drawing  
This drawing has been produced using AutoCAD LT 2015

Proprietary and Confidential  
This drawing remains the sole property of Axiom Group Pty Ltd. It must not be reproduced in part or in whole without consent from the Directors. Axiom reserves the right to amend drawings in the interest of continuous improvement. E & D E