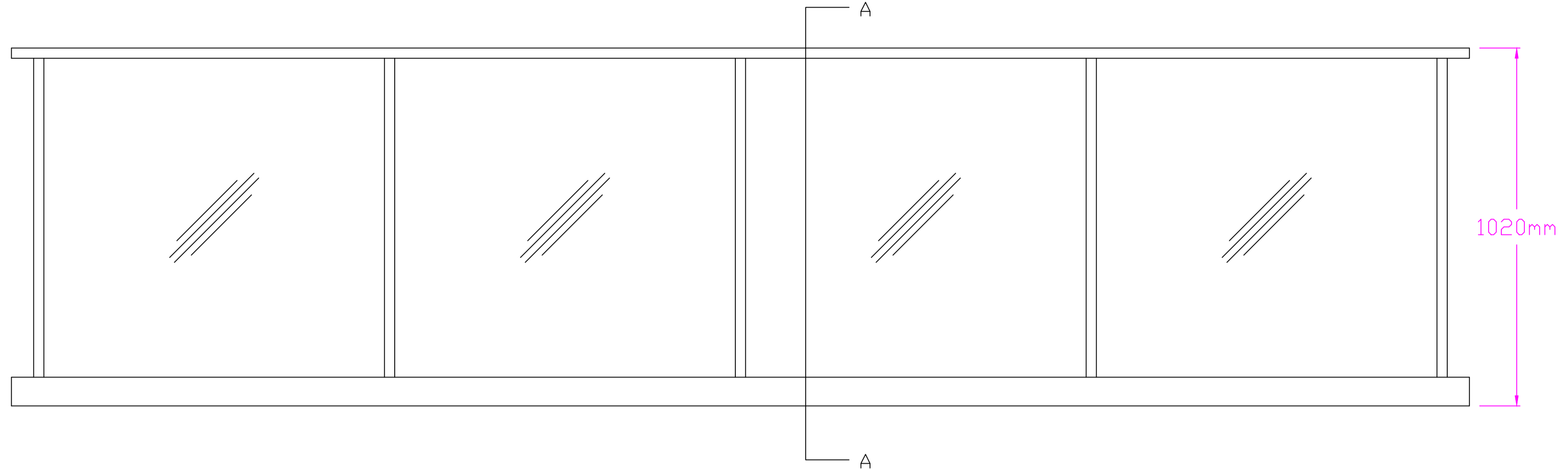
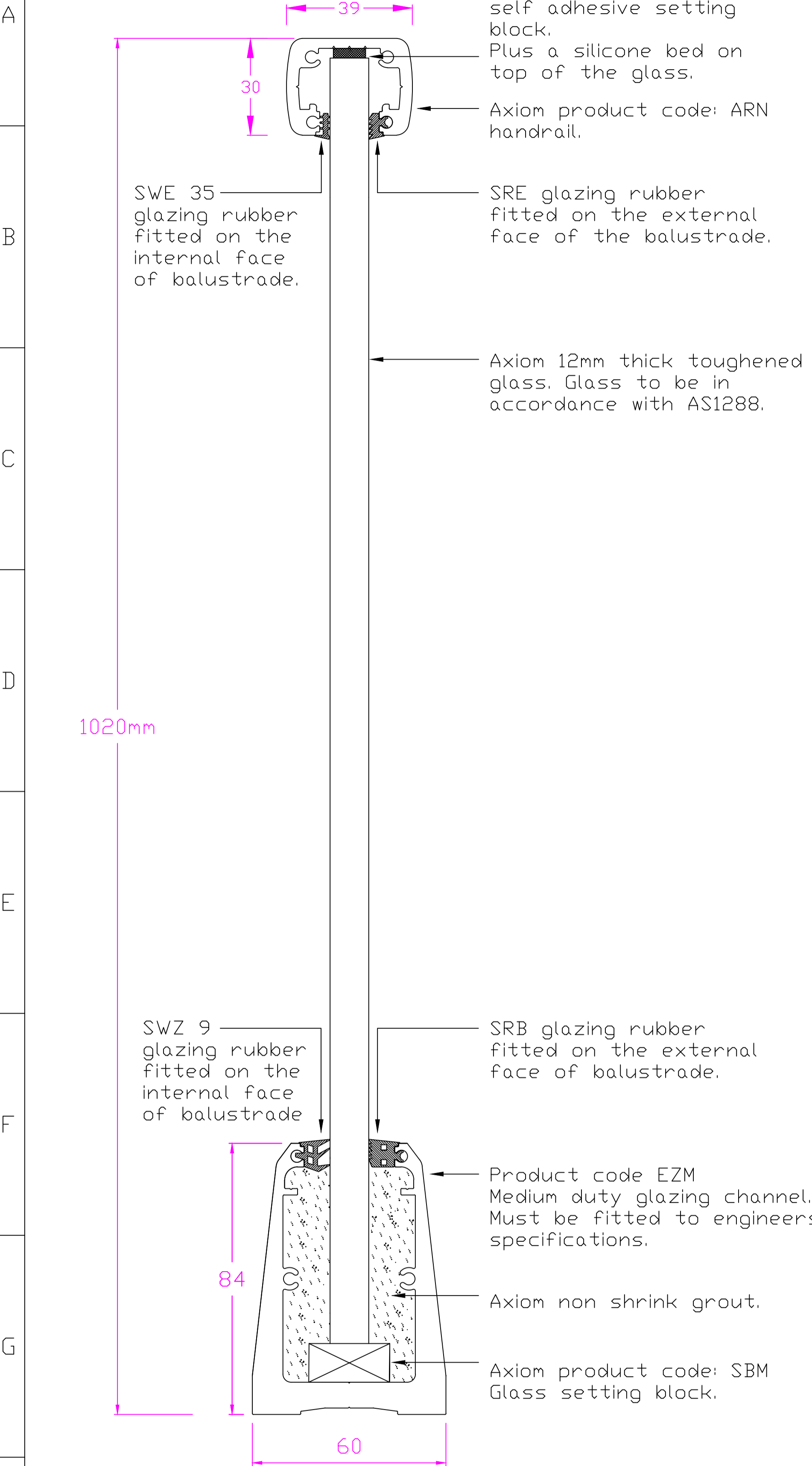


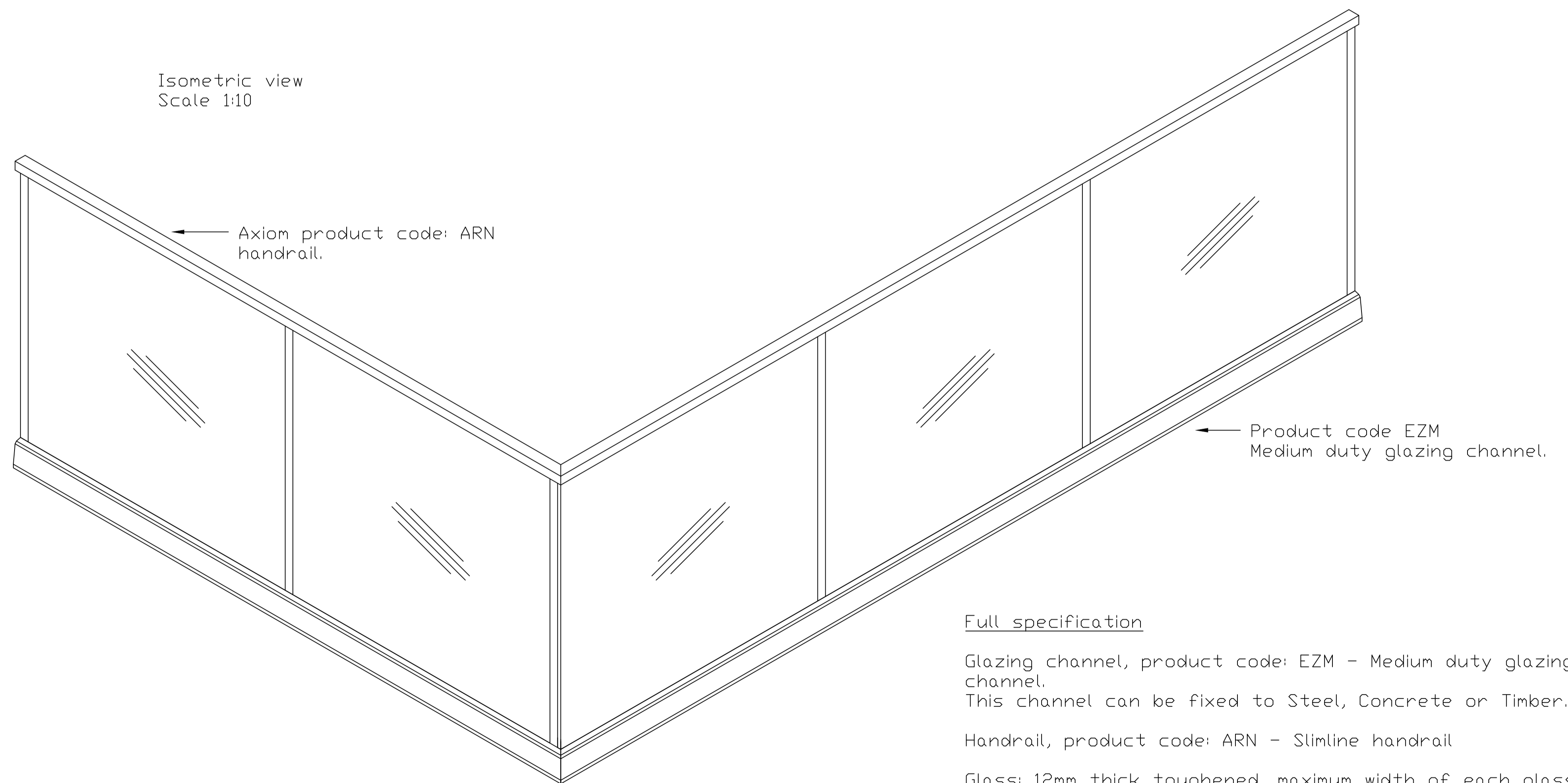
Section A - A
Scale 1:1

Elevation
Scale 1:10

Elevations are for illustration purpose only.



Isometric view
Scale 1:10



Full specification

Glazing channel, product code: EZM - Medium duty glazing channel.
This channel can be fixed to Steel, Concrete or Timber.

Handrail, product code: ARN - Slimline handrail

Glass: 12mm thick toughened, maximum width of each glass panel is 1200mm

Glass setting blocks, product code: SBM, size: 25mm x 25mm x 12mm thick, 2n° required per glass panel.

Handrail setting block: product code: SBC, size: 25mm long x 10mm wide x 3mm thick

Read this drawing in conjunction with the relevant engineering drawings. All products must be installed as specified by the engineer.



Style: AxiLume Frameless Balustrade
 Suite: Metropolis Base Mounted
 Product: EZM glazing channel with ARN handrail.

Scale as shown @ A1
 Paper Size: A1
 Unless otherwise stated all dimensions are in MM

Drawing n° SD6001-601
 Drawn by: C. Richardson
 Date: 28 / 12 / 2014

Checked by: CM
 Revision:

Job N°.
 Drawing type: Suite drawing
 This drawing has been produced using AutoCAD LT 2015

Proprietary and Confidential
 This drawing remains the sole property of Axiom Group Pty Ltd. It must not be reproduced in part or in whole without consent from the Directors. Axiom reserves the right to amend drawings in the interest of continuous improvement.