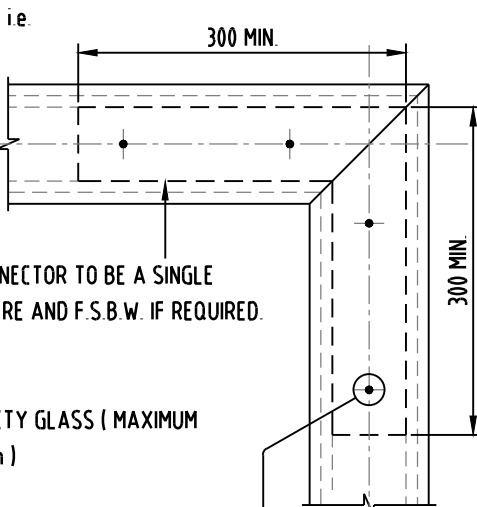


'ARN OR 'RRS' INTERLINKING HANDRAIL WITH UNDERCAP ,
 FULL LENGTH.
 FIX UNDERCAP TO BUILDING AT ENDS OF HANDRAIL , OR,
 RETURN BALUSTADE WITH UNDERCAP CORNER CONNECTOR.

RUBBER GASKETS ,
 AS REQUIRED.



UNDERCAP CORNER CONNECTOR TO BE A SINGLE
 PIECE AT CORNERS , MITRE AND F.S.B.W. IF REQUIRED.

12 mm TOUGHENED SAFETY GLASS (MAXIMUM
 PANEL WIDTH = 1200 mm)

RUBBER GASKETS ,
 AS REQUIRED.

M8 'CHEMSET' STAINLESS STEEL ANCHORS
 @ 300 MAX. CRS. 110 mm MIN. EMBEDMENT.
 40 mm MIN. EDGE DISTANCE.

COUNTERSUNK RIVETS OR SCREWS
 BETWEEN HANDRAIL AND UNDERCAP
 AT CORNERS.

R.C. SLAB.

3M DOUBLE SIDED
 TAPE.

AX BMC , ALUMINIUM
 GLAZING CHANNEL.

SBC SETTING BLOCK

R.C. SLAB EDGE.

N32 MIN. CONC. GRADE

NOTE : ADDITIONAL REQUIREMENTS
 FOR SAFETY GLASS ARE REQUIRED
 WHERE BALUSTRADE IS MORE THAN
 5 metres ABOVE FLOOR / GROUND.
 REFER AS. 1288 / AMDT 2 / 2011-11-11,
 CLAUSE 3.8

'CHEMSET' TO BE RAMSET
 800 SERIES OR EQUIVALENT

AX BMC (SCALE 1:2)
 DESIGN HORIZONTAL LIVE LOAD = 0.75 kN/m
 APPLICABLE FOR WIND REGIONS A & B TO AS.1170 , TERRAIN CATEGORY 2.
 REGION A MAXIMUM BUILDING HEIGHT 50 m
 REGION B MAXIMUM BUILDING HEIGHT 10 m

B	REFERENCE FOR GLAZING ABOVE 5m AMENDED	24.11.2014
A	ISSUED FOR CONSTRUCTION	9.01.2014
REV	COMMENTS	DATE

AXIOM GROUP P.O. BOX 94 , WERRIBEE. VIC. 3030 PH. 1300 652 336 EMAIL. sales@axiomgroup.com.au FAX. 1300 611 789 WEB. axiomgroup.com.au	
DESIGNED	IKF DATE JAN '14
DRAWN	AB SCALE 1:2
REF No	ROLL No.

CLIVE STEELE PARTNERS PTY LTD
 CONSULTING ENGINEERS - STRUCTURAL & CIVIL



BUILDING 6
 62/195 WELLINGTON ROAD
 CLAYTON, VICTORIA
 AUSTRALIA. 3168
 Telephone (03) 9545 0223
 Facsimile (03) 9545 3022
 Email csp@clivesteel.com.au
 A.C.N. 005 363 735 A.B.N. 92 627 427 761

METROPOLIS (SIDE MOUNTED) CANTILEVERED GLASS BALUSTRADE	
CONCRETE SLAB MOUNT	
DRG. No.	16996 - C - S08
	REV. B