

Company Name: _____

Date: _____

Contact Name: _____

Contact Number: _____

Job Number: _____

Colour name: _____

Colour code: _____



Please Tick

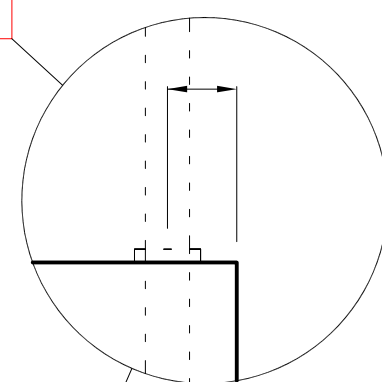
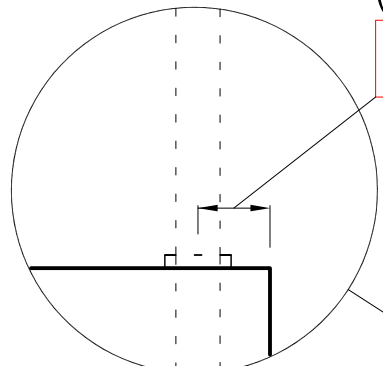
- Continues to straight run
(Please indicate top or bottom)
- Staircase only
(Sloped balustrade)

1x PANEL STAIR BALUSTRADE FORM (1)

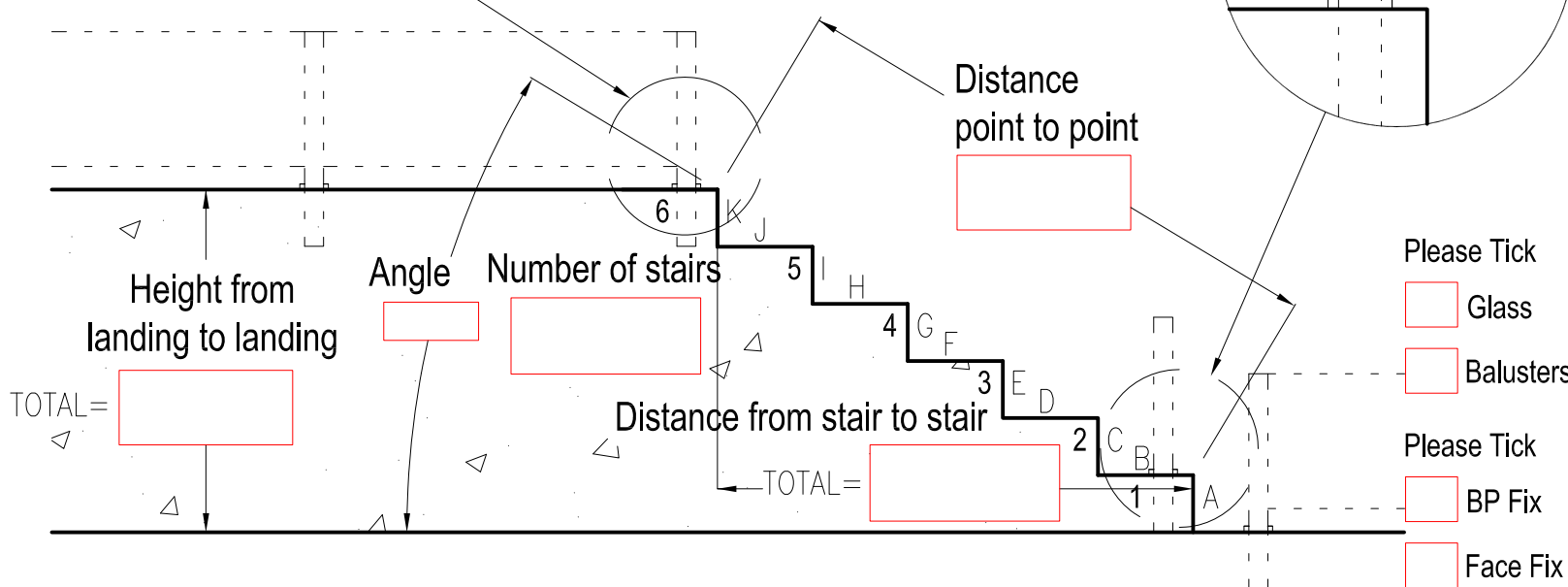
PLEASE NOTE: MAX PANEL WIDTH VARIES BETWEEN 1000mm & 1350mm
DEPENDING ON HEIGHT & GLASS OR BALUSTER SELECTION

Post set back from top stair nose
(min.75mm)

Post set back from bottom stair nose
(min.75mm)



STEP WIDTH Dimension		STEP HEIGHT Dimension	
B		A	
D		C	
F		E	
H		G	
J		I	
TOTAL=		K	
		TOTAL=	



Please Tick

- Glass
- Balusters

Please Tick

- BP Fix
- Face Fix

Signed: _____

Please note: If all relevant fields are not filled out your order will not be processed and this form will be sent back for revision.

Company Name: _____

Date: _____

Contact Name: _____

Contact Number: _____

Job Number: _____

Colour name: _____

Colour code: _____



Post set back from top stair nose
(min.75mm)

2x PANEL STAIR BALUSTRADE FORM (2)

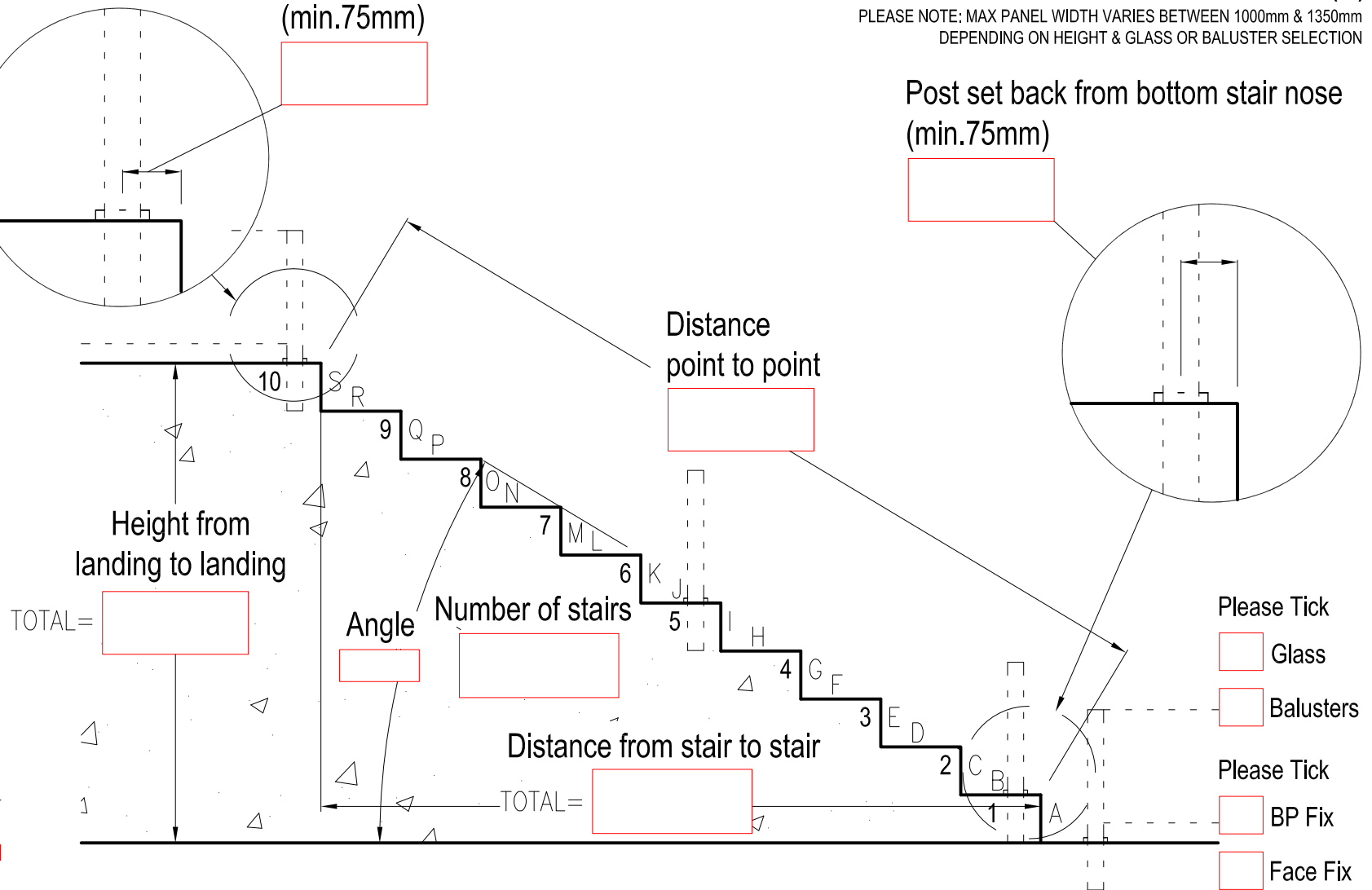
PLEASE NOTE: MAX PANEL WIDTH VARIES BETWEEN 1000mm & 1350mm
DEPENDING ON HEIGHT & GLASS OR BALUSTER SELECTION

Post set back from bottom stair nose
(min.75mm)

Please Tick

- Continues to straight run
(Please indicate top or bottom)
- Staircase only
(Sloped balustrade)

STEP WIDTH Dimension	STEP HEIGHT Dimension
B	A
D	C
F	E
H	G
J	I
L	K
N	M
P	O
R	Q
TOTAL=	S
	TOTAL=



Please Tick

- Glass
- Balusters

Please Tick

- BP Fix
- Face Fix

Signed: _____

Please note: If all relevant fields are not filled out your order will not be processed and this form will be sent back for revision.

Company Name: _____

Date: _____

Contact Name: _____

Contact Number: _____

Job Number: _____

Colour name: _____

Colour code: _____



3x PANEL STAIR BALUSTRADE FORM (3)

PLEASE NOTE: MAX PANEL WIDTH VARIES BETWEEN 1000mm & 1350mm
DEPENDING ON HEIGHT & GLASS OR BALUSTER SELECTION

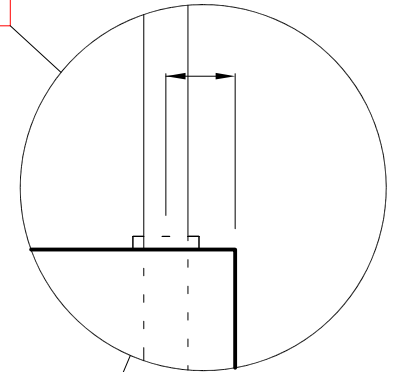
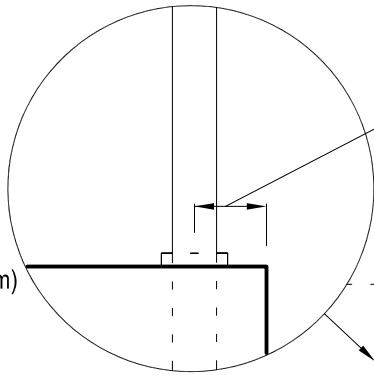
Post set back from top stair nose
(min.75mm)

Post set back from bottom stair nose
(min.75mm)

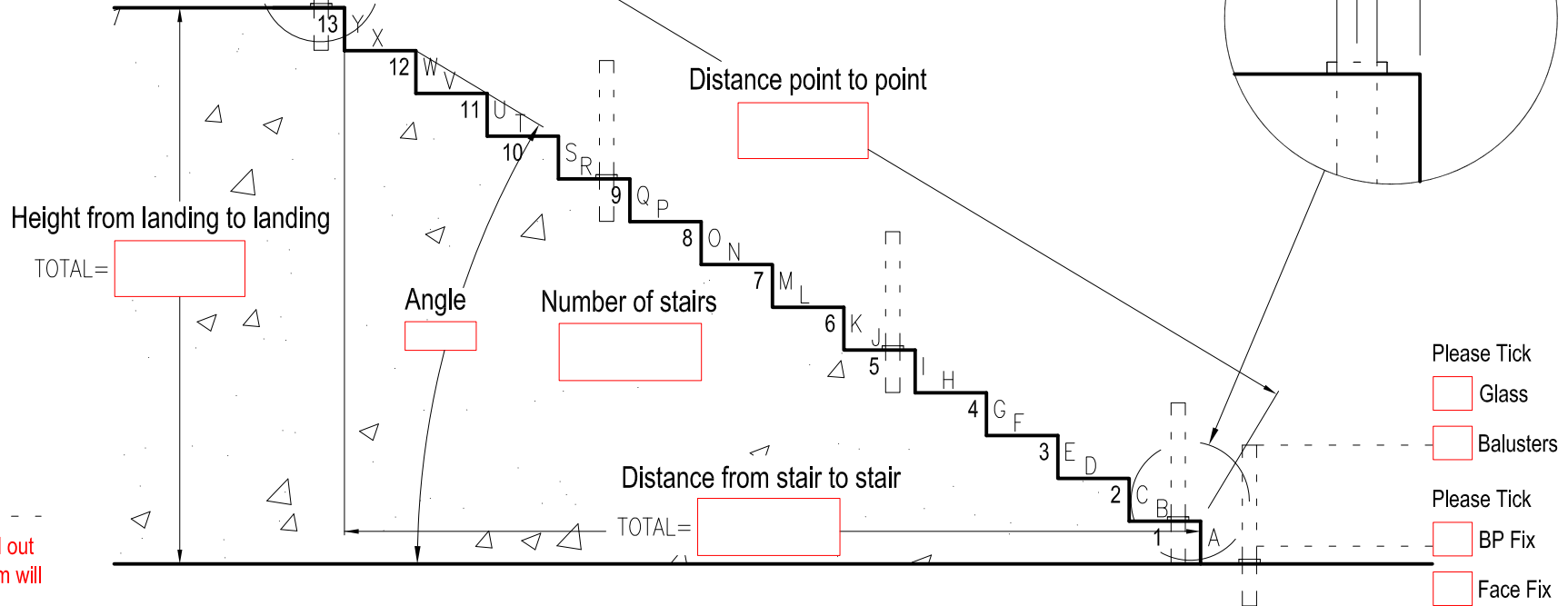
Please Tick

Continues to straight run
(Please indicate top or bottom)

Staircase only
(Sloped balustrade)



STEP WIDTH Dimension	STEP HEIGHT Dimension
B	A
D	C
F	E
H	G
J	I
L	K
N	M
P	O
R	Q
T	S
V	U
X	W
TOTAL=	Y
	TOTAL=



Signed: _____

Please note: If all relevant fields are not filled out your order will not be processed and this form will be sent back for revision.